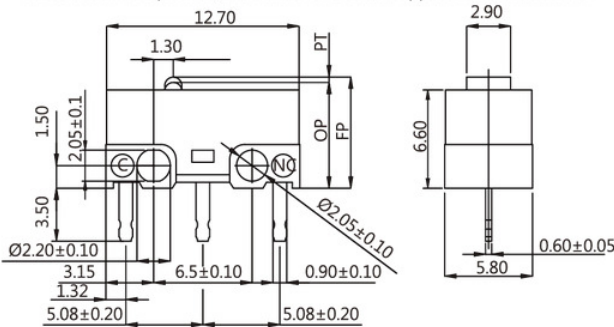
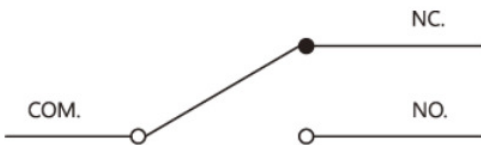


Dimensions

Unless otherwise specified, a tolerance of $\pm 0.4\text{mm}$ applies to all dimensions.



Contact Configuration



Specifications

Operating frequency(mechanical):

120 Operation / mim

Operating frequency(electrical):

10~30 Operation / mim

Contact resistance:

100m Ω (max)

Insulation resistance(at 500 VDC)

100M Ω (Min)

Service life(mechanical)

Min. 1000000 Operations

Service life(electrical)

1A/3A-Min.10,000 Operations

Rating

0.1A/1A/3A 125VAC ; 3A 5VDC/12VDC

Application

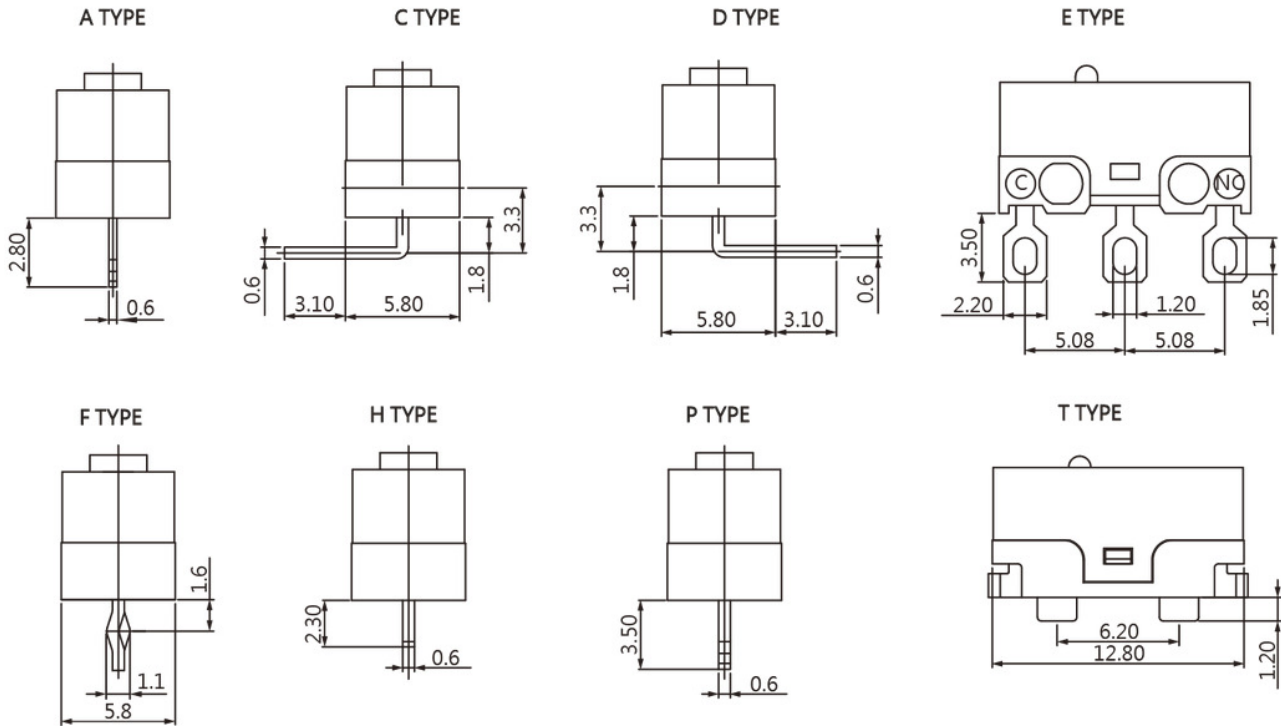
1. Computer mouse
2. Joysticks
3. Charger unit for mobile phone
4. Detection of key position for automobiles
5. Small home appliances
6. Central heating control
7. Electronic Door Locks
8. Smart Meter

Operating Force

| MODEL | Rating | L | S |
|-------|--------|---|---|
| DF | 0.1A | * | * |
| | 1A | * | * |
| | 3A | * | * |

NOTE : The Symbol " * " to represent the result is accepted

Terminal Types



Order Information

| | | | | | | | | | | | | |
|---------------|----------|---|----------------|---------------------------------|--|-----------------|----------|---------------|--|---------------|---|-----------|
| D | F | - | P | 1 | | L | - | 0 | | P | - | Z |
| SERIES PREFIX | | | RATING CURRENT | | | OPERATING FORCE | | ACTUATOR TYPE | | TERMINAL TYPE | | ROHS CODE |
| | | | P1 | 0.1A 125VAC | | C | | C | | A | | |
| | | | 01 | 1A 125/250VAC | | D | L | 0 | | C | | |
| | | | 03 | 3A 125VAC | | S | LIGHT | 1 | | D | | |
| | | | G1 | 0.1A 125VAC CONTACT PLATED GOLD | | | STANDARD | 2 | | H | | |
| | | | G3 | 3A 125VAC CONTACT PLATED GOLD | | | | 3 | | F | | |
| | | | D3 | 3A 12VDC | | | | 4 | | P | | |
| | | | | | | | | 5 | | E | | |
| | | | | | | | | 6 | | T | | |
| | | | | | | | | 7 | | | | |
| | | | | | | | | 8 | | | | |
| | | | | | | | | 9 | | | | |

Operating Characteristics

| SWITCH TYPE | PART SUFFIX | OF Max. (gf) | | OP (mm) | PT Max. (mm) | OT Min. (mm) | MD Max. (mm) | FP Max. (mm) | RF Min. (gf) |
|-------------|-------------|--------------|-----|-----------|--------------|--------------|--------------|--------------|--------------|
| | | L | S | | | | | | |
| DF-□□□-0□-Z | | L | 80 | 7.0±0.2 | 0.62 | 0.2 | 0.12 | 7.35 | 21 |
| | | S | 150 | | | | | | 35 |
| DF-□□□-1□-Z | | L | 30 | 7.9±0.8 | 3.4 | 0.6 | 0.8 | 10.1 | 5 |
| | | S | 56 | | | | | | 8 |
| DF-□□□-2□-Z | | L | 25 | 9.8±0.9 | 3.5 | 0.7 | 0.92 | 14.2 | 5 |
| | | S | 43 | | | | | | 7 |
| DF-□□□-3□-Z | | L | 35 | 7.9±0.7 | 2.1 | 0.3 | 0.29 | 9.3 | 5 |
| | | S | 57 | | | | | | 12 |
| DF-□□□-4□-Z | | L | 39 | 8.0±0.8 | 2.5 | 0.5 | 0.7 | 10.8 | 6 |
| | | S | 69 | | | | | | 10 |
| DF-□□□-5□-Z | | L | 50 | 9.0±0.6 | 1.64 | 0.49 | 0.3 | 10.15 | 5 |
| | | S | 70 | | | | | | 11 |
| DF-□□□-6□-Z | | L | 30 | 8.33±0.9 | 3.5 | 0.6 | 0.8 | 10.6 | 3 |
| | | S | 50 | | | | | | 8 |
| DF-□□□-7□-Z | | L | 27 | 10.75±0.8 | 3.5 | 0.3 | 0.8 | 13.5 | 3 |
| | | S | 48 | | | | | | 8 |
| DF-□□□-8□-Z | | L | 33 | 8.17±0.8 | 2.8 | 0.6 | 0.7 | 11.2 | 5 |
| | | S | 54 | | | | | | 9 |
| DF-□□□-9□-Z | | L | 13 | 9.75±1.9 | 6.9 | 0.55 | 1.9 | 16.8 | 2 |
| | | S | 21 | 9.5±1.9 | | | | | 3 |

K09