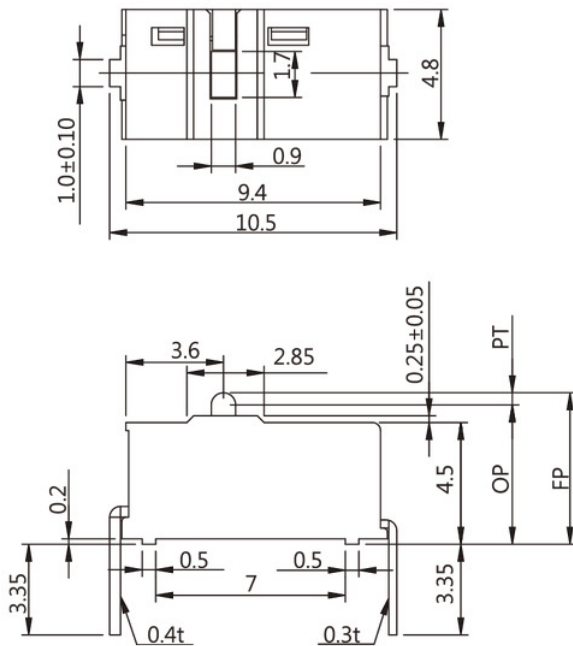


Dimensions

Unless otherwise specified, a tolerance of $\pm 0.4\text{mm}$ applies to all dimensions.



Contact Configuration



Specifications

Operating frequency(mechanical):

120 Operation / min

Operating frequency(electrical):

120 Operation / min

Contact resistance:

800m Ω (max)

Insulation resistance(Or at 250 VDC)

100M Ω (Min)

Service life(mechanical)

Min. 3,000,000 Operations

Service life(electrical)

Min. 1,000,000 Operations

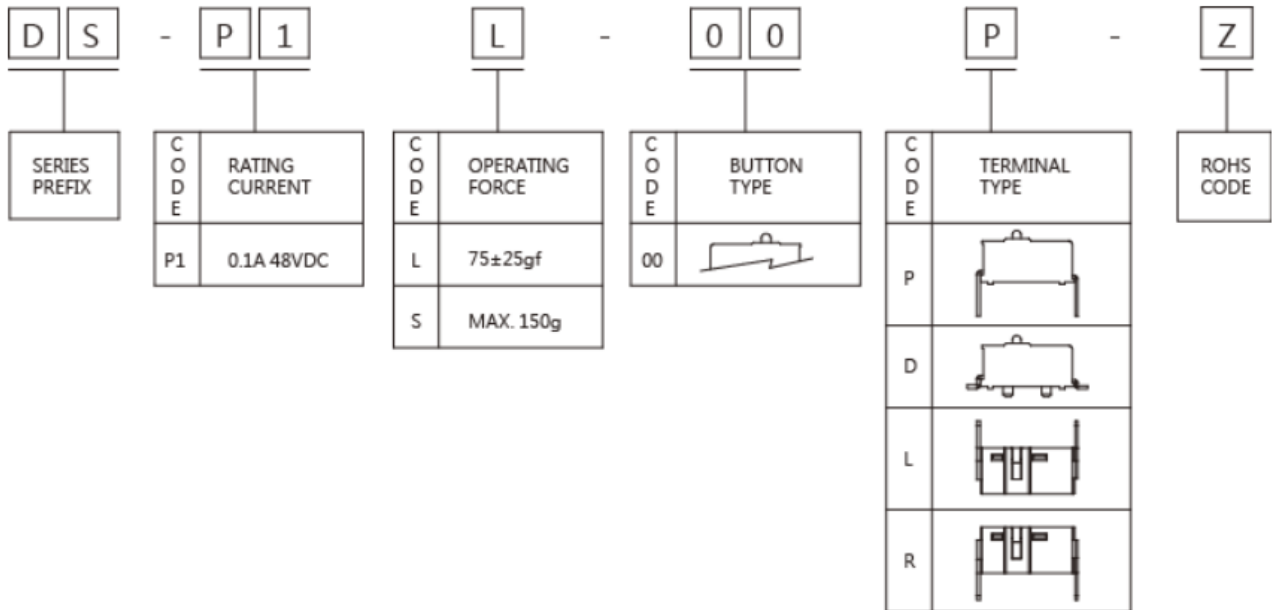
Rating

0.1A 48VDC

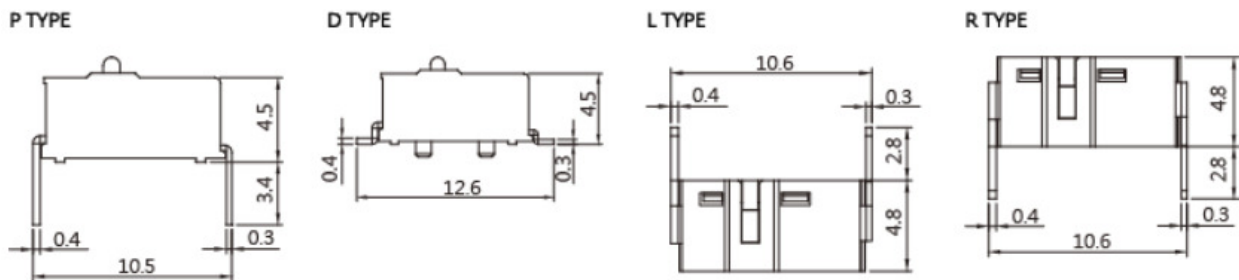
Application

Mouse, Joystick

Order Information



Terminal Types



Operating Characteristics

SWITCH TYPE	PART SUFFIX	OF (gf)	OP (mm)	PT Max. (mm)	OT Min. (mm)	MD Max. (mm)	RF Min. (gf)
DS-P1 □ -00 □ -Z		L 75±25	5.25±0.2	0.95	0.25	0.35	15
		S Max.150					30