

TÜV Rheinland Industrie Service GmbH
Postfach, 51101 Köln

Thomas Palutke
Kst. 968 / pa-nie

H. ZANDER GmbH & Co. KG· Am Gut Wolf 15· 52070 Aachen

Tel. 0221/806 5325
Fax 0221/806 1539
Mail thomas.palutke@de.tuv.com
Web www.tuv.com

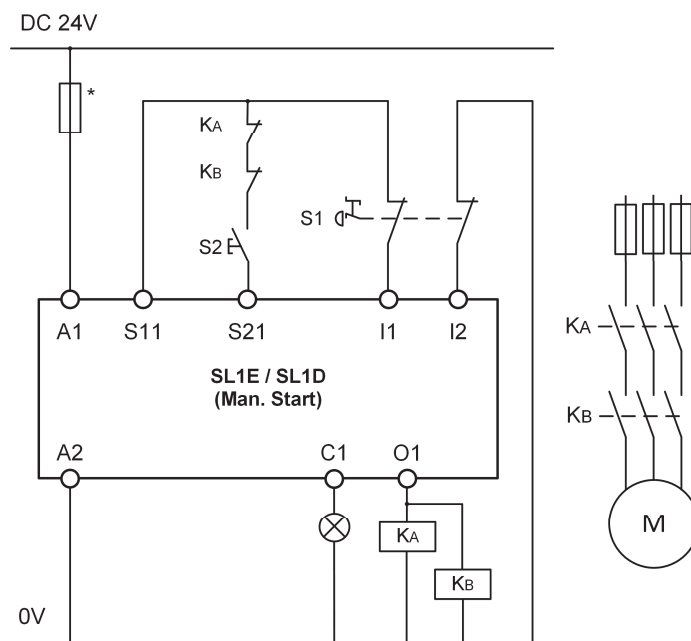
05.12.2017

MINOS – Application safety output up to Cat.4 / PL e / SILCL 3

Dear Mr. Ruland,

We hereby confirm that a safety application acc. picture 1 does fulfil the safety requirements acc. Cat. 4, PL e (EN ISO 13849-1) as well as SILCL 3 (EN 62061), if safety modules of series MINOS (see EC type Certificate No.: 01/205/5567.00/17) are used. (see safety parameters in the user manual)

This is possible as the single safety output O1 is internally redundant and only if fault exclusion for shorts in the wiring is applicable.



Picture 1: Application example

Fault exclusion can be done acc. to EN ISO 13849-2 table D.4 if proper mechanical protection (e.g. wiring in the same cabinet, armored conduit for outside cabinet wiring) is used.

Best regards,

Automation,
Functional Safety
Business Unit FS Products



Dipl.-Ing. Thomas Palutke

TÜV Rheinland
Industrie Service GmbH
Am Grauen Stein
51105 Köln

Geschäftsführung und Sitz der
Gesellschaft:

Geschäftsführung:
Andreas Geck (Sprecher)
Dirk Fenske

Aufsichtsratsvorsitzender
Dr.-Ing. Michael Fübi

Sitz der Gesellschaft: Köln
Amtsgericht: Köln, HRB 26876
USt-IdNr.: DE 811955577